



# Neo TS Time Delay

## Time Delay

PlayBox Neo TS Time Delay is UDP/RTP Data Delay server for single or multichannel Time Zone Delay, Regional Delays and Disaster Recovery applications.

Designed for fully automated operation, Neo TS Time Delay can be configured with multiple input channels and multiple delayed outputs. Each input also has one zero-delay output.

Provides fully transparent time delay of transport streams such as DVB/ATSC MPEG without changing the original quality of the content. All operating parameters are easily adjusted via an integral web-based user interface, including channel-specific time delay in 15 second increments. Maximum delay depends on delayed stream input bitrate and storage capacity. Additional features include programme information display of MPEG-compliant transport streams plus automatic error logging.

Neo TS Time Delay incorporates UDP/RTP input/output, unicast or multicast via standard Gigabit Ethernet ports.

Delay for UDP/RTP unicast/multicast streams from a few seconds to week or more

CHANNELS						
MICKEY MOUSE (TRANSPONDER 1)						
Type	Interface	IP	Port	Bitrate	Graph	
<input checked="" type="checkbox"/>	Input	10.10.100.50	208.1.1.8	9876	0.00Mbps	
<input checked="" type="checkbox"/>	Minor	10.10.100.50	208.10.10.10	10000	0.00Mbps	
Delay (sec)	Interface	IP	Port	Bitrate	Graph	
<input checked="" type="checkbox"/>	30	10.10.100.50	208.10.10.10	10002	0.00Mbps	
<input checked="" type="checkbox"/>	120	10.10.100.50	208.10.10.10	10003	0.00Mbps	
<input checked="" type="checkbox"/>	3600	10.10.100.50	208.10.10.10	10004	0.00Mbps	
<input checked="" type="checkbox"/>	86400	10.10.100.50	208.10.10.10	10005	0.00Mbps	
channel log						
DONALD DUCK (TRANSPONDER 2)						
Type	Interface	IP	Port	Bitrate	Graph	
<input checked="" type="checkbox"/>	Input	10.10.100.50	208.1.1.8	9876	0.00Mbps	
<input checked="" type="checkbox"/>	Minor	10.10.100.50	208.1.1.8	9875	0.00Mbps	
Delay (sec)	Interface	IP	Port	Bitrate	Graph	
<input checked="" type="checkbox"/>	30	10.10.100.50	208.1.1.8	9874	0.00Mbps	
<input checked="" type="checkbox"/>	120	10.10.100.50	208.1.1.8	9873	0.00Mbps	
<input checked="" type="checkbox"/>	3600	10.10.100.50	208.1.1.8	9872	0.00Mbps	
<input checked="" type="checkbox"/>	240	10.10.100.50	208.1.1.8	9871	0.00Mbps	
channel log						
MINNIE MOUSE (SINGLE CHANNEL)						
Type	Interface	IP	Port	Bitrate	Graph	
<input checked="" type="checkbox"/>	Input	10.10.100.50	208.1.1.8	9876	0.00Mbps	
<input checked="" type="checkbox"/>	Minor	10.10.100.50	208.1.1.8	9875	0.00Mbps	
Delay (sec)	Interface	IP	Port	Bitrate	Graph	
<input checked="" type="checkbox"/>	30	10.10.100.50	208.1.1.8	9874	0.00Mbps	
<input checked="" type="checkbox"/>	120	10.10.100.50	208.1.1.8	9873	0.00Mbps	
<input checked="" type="checkbox"/>	3600	10.10.100.50	208.1.1.8	9872	0.00Mbps	
<input checked="" type="checkbox"/>	240	10.10.100.50	208.1.1.8	9871	0.00Mbps	
channel log						

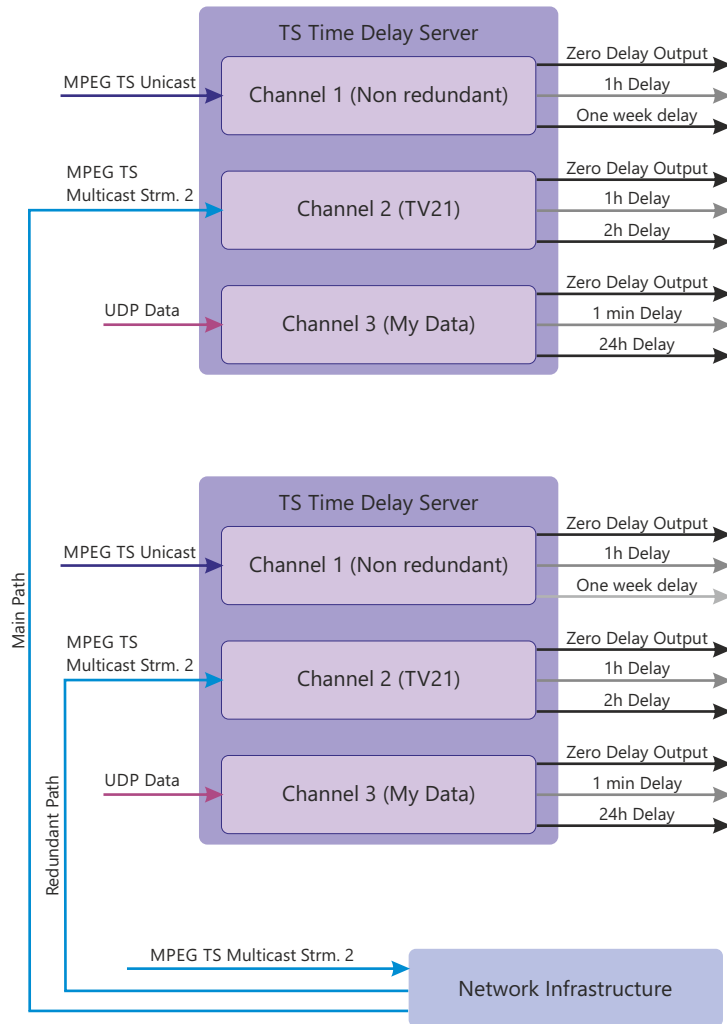
### Neo TS Time Delay Features

- Compressed DVB/ATSC TS Stream Delay
- Delay of other non MPEG TS data
- Transparent to data - doesn't change any bits in the passing through streaming data
- Web-based User interface
- Program Information display, when the source data is MPEG TS compliant
- Error logging
- Single/Multiple channels
- Multiple delayed outputs with user defined delay per source
- One zero delay output per each input
- User definable network interface for each input and output



# Neo TS Time Delay Features and Workflow

- SPTS or MPTS delay, starting from 15sec up to days (depends on the storage and input bitrate)
- UDP/RTP Input/Output, unicast or multicast via standard Gigabit Ethernet ports



PlayBox Neo is registered trademark. Other mentioned trademarks are property of their respective holders.



**PLAYBOX NEO**  
native cloud & broadcast solutions

Rev.11/18 • All rights reserved copyright © 1999-2018

